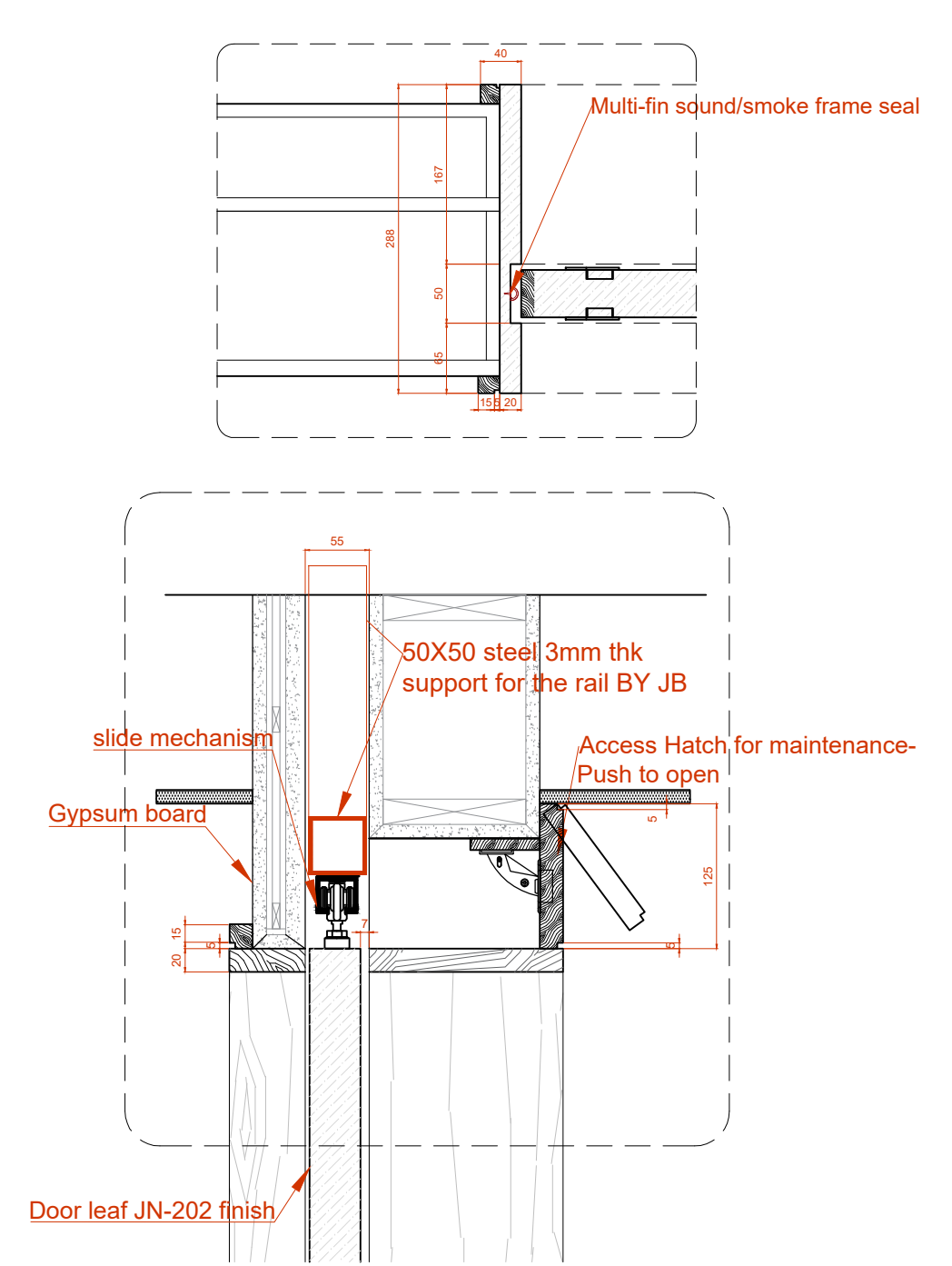
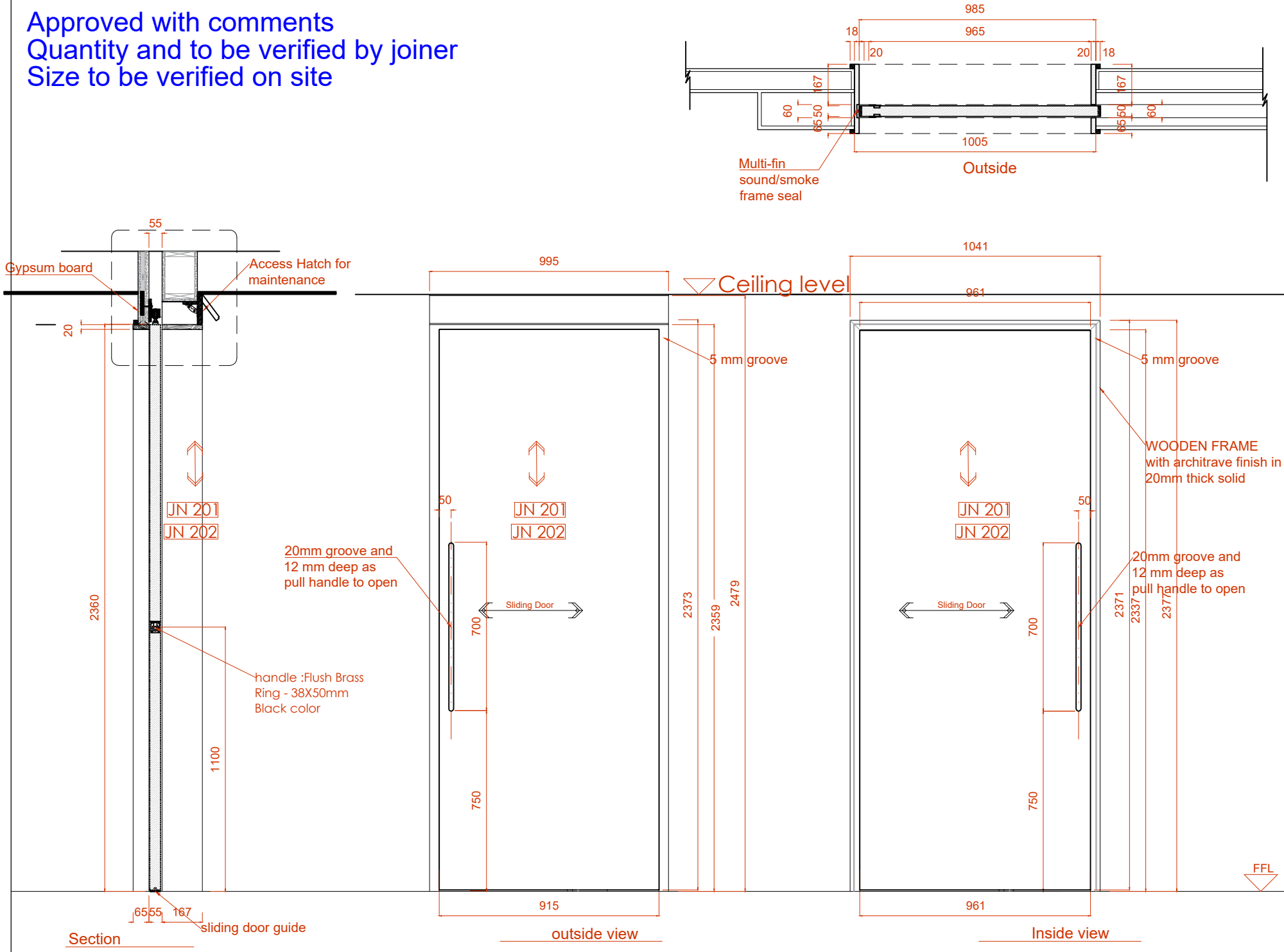


Approved with comments
 Quantity and to be verified by joiner
 Size to be verified on site



D5a	Presidential , executive and Junior suite connecting pocket sliding door	
Panel Size	965 mm W x 2342mm H x 50 mm thk	
Finish	JN-201 @ Junior & Executive. JN-202 @ Presidential	
Door leaf type	Sliding Pocket door	
Ironmongery & Accessories	Handle :Flush Brass Ring ,Finger pull - 38X50mm Black color	Black Finish
	Barn sliding door track : Adjustable upper truck slide mechanism with lower runner for sliding barn door	Black Finish
Location	Presidential , executive and Junior suite connecting door	
Total QTY	14	
Fire Rating	NA	
Acoustic	NA	
Remarks		

